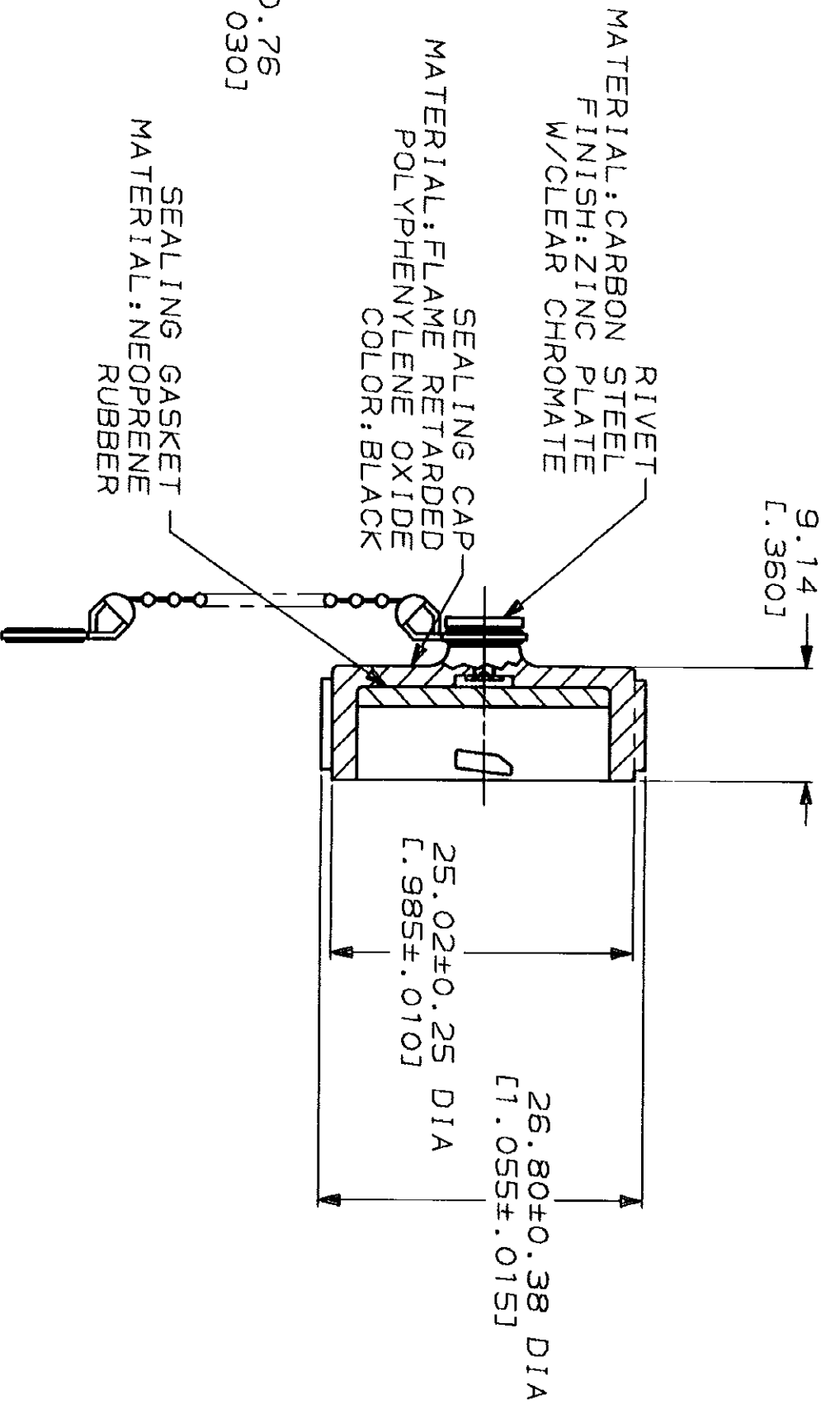
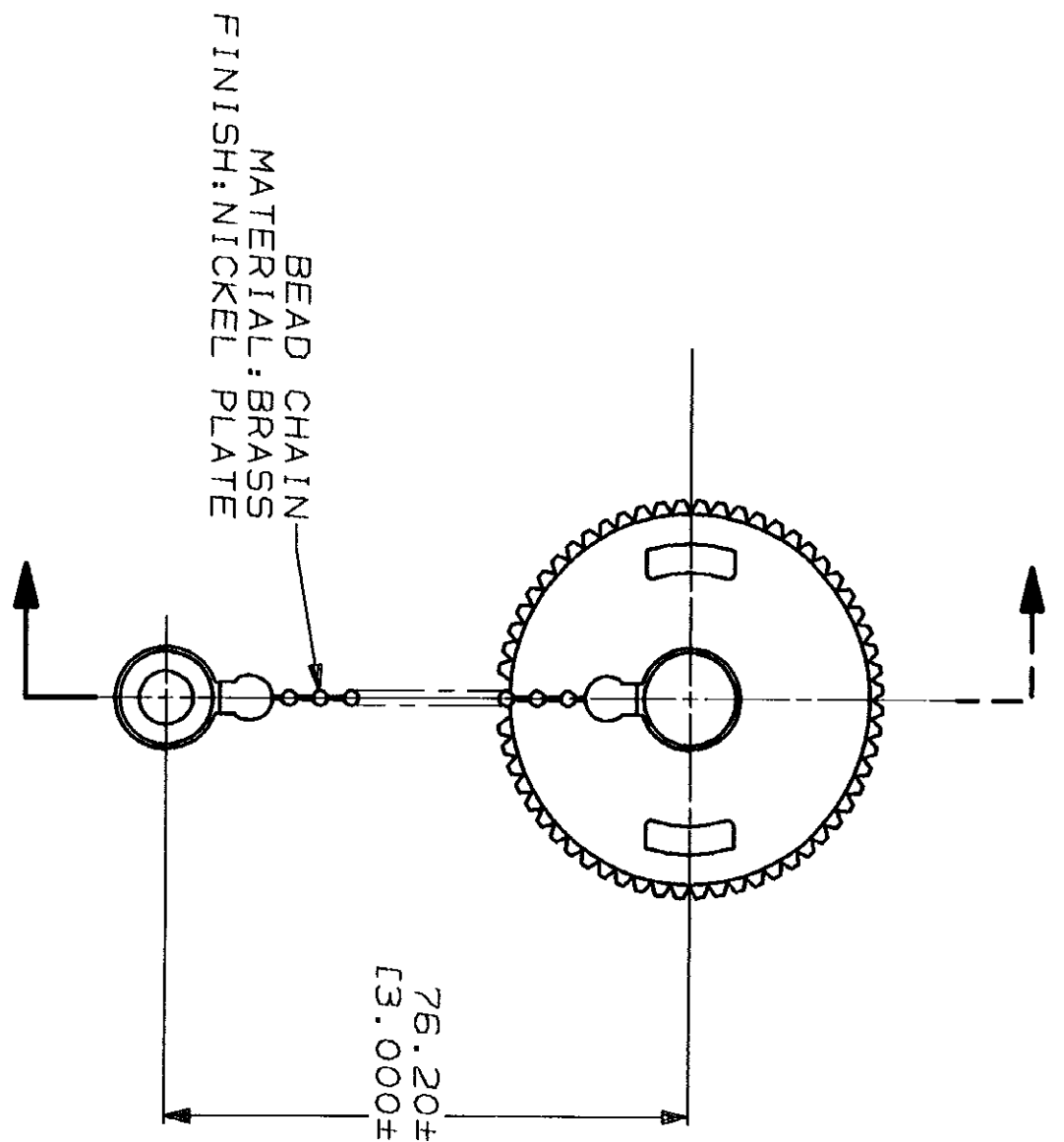


THIS DRAWING IS UNPUBLISHED. RELEASED FOR PUBLICATION BY AMP INCORPORATED. ALL INTERNATIONAL RIGHTS RESERVED. © COPYRIGHT 19 19 .

MOD	LOC	DIST	P	F	ZONE	LTR	DESCRIPTION	DATE	APPD
4	BD	35			A		REDRAWN & REV PER EC 0020-680-93	6-9-93	AF

REVISIONS	
DESCRIPTION	DATE



213485-1  
PART  
NUMBER

PART NO

**AMP**

AMP Incorporated  
Harrisburg, PA 17105-3608

NAME  
SEALING CAP ASSY, SIZE 13, W BEAD CHAIN, CPC

DO NOT SCALE PRINT. UNLESS SPECIFIED DIMENSIONS IN MM (INCHES) TOLERANCES ON: 2 PLC DEC # 0.13(.005) 3 PLC DEC # - ANGLES -	DR 6-9-93 D.BROCKWAY
MATERIAL SEE CALLOUTS	CHK 7-1-93 R. STONE
FINISH SEE CALLOUTS	APPD 7-1-93 AL FRANTUM
APPLICATION SPEC	APPD 7-1-93 AL FRANTUM
WEIGHT -	PRODUCT SPEC

SIZE B	CAGE CODE 00779	DRAWING NO G-213485
SCALE 2:1	SHEET 1 OF 1	

THIS DRAWING IS A CONTROLLED DOCUMENT FOR AMP INCORPORATED. IT IS SUBJECT TO CHANGE AND THE CONTROLLING ENGINEERING ORGANIZATION SHOULD BE CONTACTED FOR THE LATEST REVISION.

CUSTOMER DRAWING